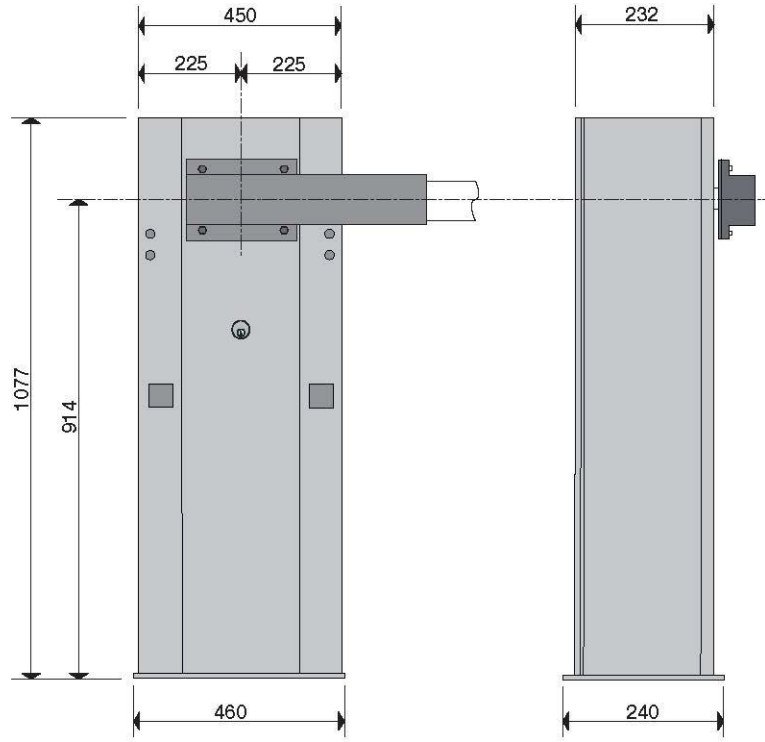


PL 6000 TECHNICAL SPECIFICATIONS





■ Body Dimensions Body	(450 x 232 x 1077 height) mm
■ Material- Finish Body	Galvanised steel – electrostatic powder coated
■ Color	Melon (RAL 1028)
■ Interior Access	By locked lid
■ Net Passage Width	Up to 6.5 m.
■ Boom Material	Aluminium
■ Boom Color	White (RAL 9010)
■ Underbody Structure	Installation with concreting in 700X400X500mm pit
■ Power Supply	230 V AC 60/50 Hz. (%±10)
■ Consumption	300W
■ Absorption	15A
■ Torque	200Nm
■ Type of Operation	Electromechanical
■ Installation Direction	Left – Right adjustable
■ Speed	4 - 8 sec.
■ Manual Control	By release lock
■ Operating Temperature	20°C/+55°C (Opt.. -50°C with heater positive), %95 non-condensing
■ IP Derecesi	IP 54, outdoor
■ Net Weight	~72 kg (Excl boom)
■ Options and Accessories	Safety Sensor (photocell), loop detector, flashing light, light bulb for arm, traffic light, fixed rest, swing rest, boom joint, painted aluminium skirt, rubber shock-proof edges, wireless remote control (receiver&transmitter), manual control button, red reflective sticker for arm



**Design and specifications are subject to change without notice.*

SmartGuard®

· Smartguard is brand of Polimek ·

CONTACT:  +90 232 328 16 45 (pbx) Fax: +90 232 328 16 74 Sales: +90 530 915 60 00  export@polimek.com.tr  www.polimek.com.tr

 Ataturk Organized Industrial Zone 10024 St. No: 9 Cigli – IZMIR/TURKEY