

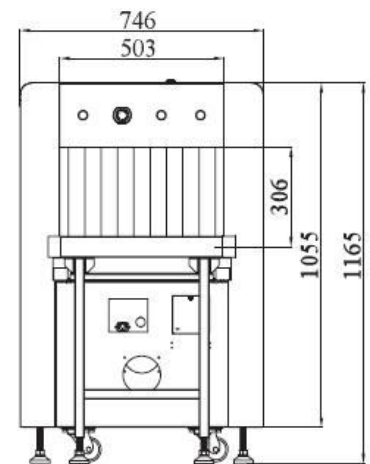
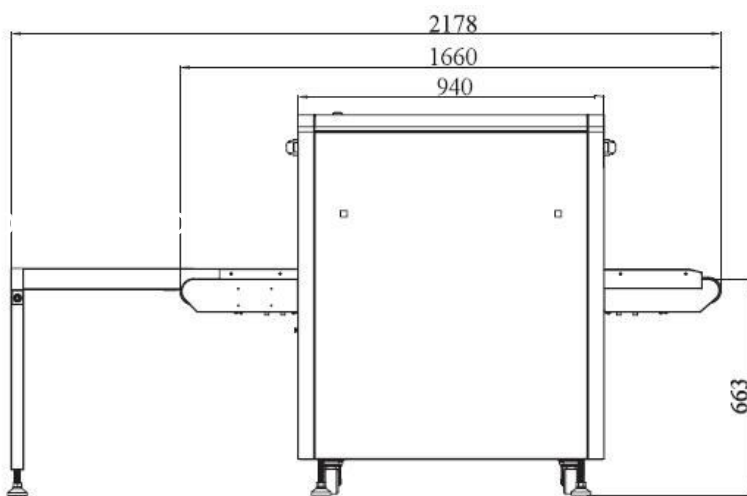
SG-L 5030C X-Ray Baggage Scanner

Product Highlights

- * Multilingual operation
- * Automatic built in test and self diagnosis
- * Secure access Key
- * Continuous working 10000 hours above
- * Threat alert and material classification
- * International standard configuration:
- * Network-Ready
- * Energy saving design
- * One key turn off
- * Drugs and explosives inspection
- * Indication of the date and time



Dimensional Drawing



Important Sizes :

Product Size: 2178* 746 * 1165mm (L × W × H)

Tunnel Size: 503* 306mm (width × height)

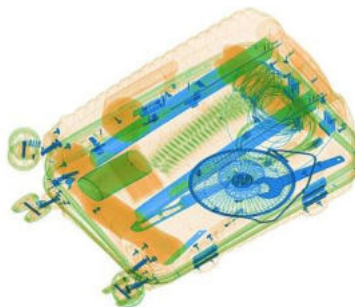
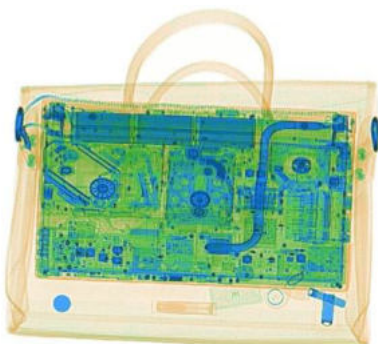
General Specifications

■ Wire Resolution	Typical AWG40
■ Penetration resolution	Typical AWG32
■ Spatial resolution	Vertical:1.0mm, horizontal:1.0mm
■ Penetration	38mm
■ Resolution of organic matter	1 - 120 mm
■ Grayscale and mixture resolution	1 - 60mm
■ Resolution of inorganic objects	0.2-14mm
■ Effective material resolution	Meet the requirements of GB15208.1-2005
■ X-Ray dosage each inspection	≤4. 5 μSv(uGy)
■ Boundary Leakage	≤0. 5 μSv /h(uGy/h)
■ S/N ratio	<60dB
■ Conveyor speed	0.2m/s
■ Conveyor max load	100kg
■ Power consumption	0.5KVA
■ Safety performance requirements	Meet the requirements of GB15208.1-2005
■ EMC requirements	Meet the requirements of GB15208.1-2005
■ Electrical safety	Meet the requirements of GB15208.1-2005
■ Environmental applicability	Meet the requirements of GB15208.1-2005
■ Leakage current	≤5.0mA
■ Film Safety	Guarantee ASA/ISO1600 Film
■ Weight	300kg
■ Operation temperature/Humidity	5C°- 40C°/0%-90%
■ Storage temperature/Humidity	-20C°-60C° /10%-90%
■ Atmospheric pressure	86kPa-106kPa
■ Operation Power	AC 220V(±10%-15%) 50±3Hz
■ Operation system	Windows X

Configuration

■ X ray generator	140KV, oil cooling, from top to bottom
■ Electric roller	Direct current
■ Computer	CPU: Intel Celeron 2.60-2.70GHz, Hard drive: 500G, Storage : 2G
■ Monitor	21.5" LED screen, resolution: 1280*1024 pixels
■ Operation console	Single screen console

Scanned images



Software Functions

<ul style="list-style-type: none"> ■ Power-on self-test ■ Image processing ■ Image Recall ■ The number of images stored ■ Image management ■ Operator management ■ Dangerous goods image insertion ■ Equipment diagnosis ■ System Settings ■ System equipment information ■ Training function 	<p>With the function of fault self-check, automatically judge the fault and prompt the fault code information in time.</p> <p>With the function of Color/BW, negative, high/low penetration, organic /inorganic stripping, general enhancement, and pseudo color, etc. 30 preceding images recallable.</p> <p>Up to 10,000 images stored automatically.</p> <p>With the functions of image information query, open, export and print, 6 image formats can be exported (JPG, BMP, XF, PNG, TIFF, GIF)</p> <p>Operators can be added and deleted, and operator names, groups, passwords, enabled status can be modified, and usage logs can be exported.</p> <p>TIP insertion pictures can be added and deleted, TIP enable status, injection interval, floating range, motion determination time, and stationary determination time can be set; the user can check the operator by recording information.</p> <p>Key components of equipment can be diagnosed through the diagnostic interface, including detector, motor positive and negative rotation, infrared sensor, special keyboard, etc.</p> <p>Programmable key, imaging display (horizontal, vertical image, maximum magnification, display recovery), scanning mode setting (two-way, direction, strong scanning, energy saving), auxiliary inspection (difficult to penetrate, explosives, drugs), luggage counter function Settings.</p> <p>Display software version, equipment model, factory number, scan count, power on time, beam out time, image file storage capacity and other information.</p> <p>Able to conduct automatic through-baggage training for new operators</p>
--	---

Compliance

<ul style="list-style-type: none"> ■ International ■ National 	<ul style="list-style-type: none"> * ISO19001 ; ISO14001 ; ISO27001 ; OHSMS18001 ; * CE , ROHS, FCC, REACH * USA, FDA * Health Inspection Report * Computer Software Copyright Registration Certificate * Software Product Registration Certificate * Radiation Safety Certificate from Ministry of Public Security * Quality Certification from Safety and Police Electronic Products Quality Inspection Center * Design patent certificatio
---	--