

EXPLOSIVES & DRUGS TRACE DETECTOR

PL 800



PRODUCT HIGHLIGHTS

- * The instrument combine the positive and negative two modes inside, which are respectively for the detection of
- * explosives and narcotics.

One-touch Detection

One-touch detection, easy to operate

Precise Detection

Based on Ion mobility spectrometry technology, in practice, the instrument don't need touch directly the dangerous target from the package to make a test.

- * Target particles can be collected on clean and new traps by hand-wiping suspect with the trap, to facilitate a simple and precise detection.

Accurate Identification

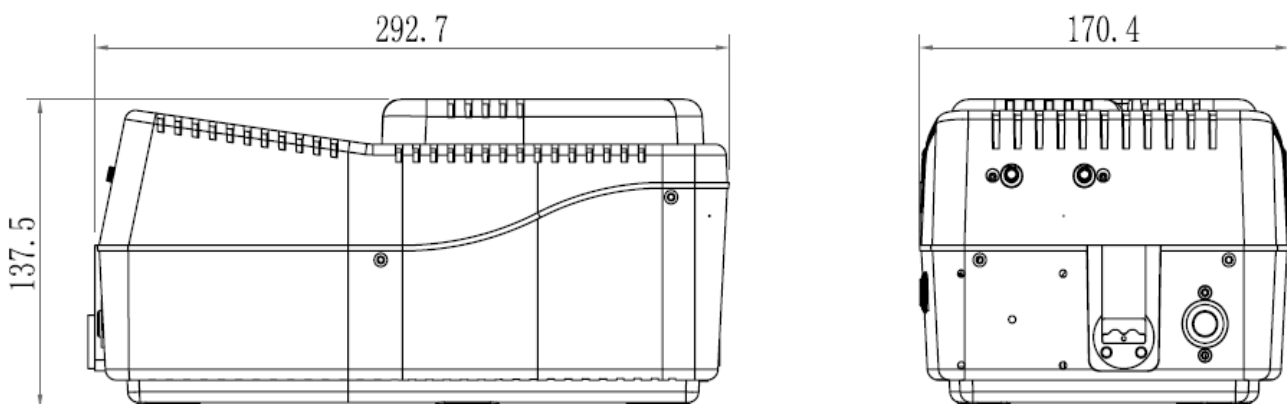
The instrument is able to accurately identify the name and ingredient name of dangerous materials.

Introduction

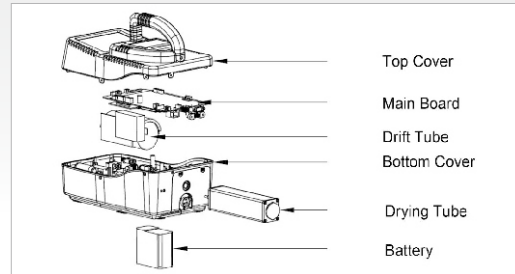
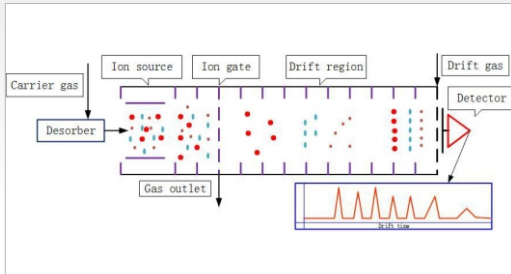
Polimek PL800 portable explosive/narcotics trace detector is a narcotics and explosives detection device independently designed and manufactured by Polimek. Based on the principle of ion mobility spectrometry, it can accurately detect particles or vapor of trace amounts of explosives and narcotics, and give the ingredient names.

Due to the superior technical features and specifications including fast response, high precision, low power consumption, easy to operate and maintain, the detector is widely used for dangerous goods detection in airports, ports, customs checkpoints, border crossings, and crowd-gathered places, or used as a tool for forensic evidence examination and identification.

Dimensional Drawing



Detection spectrum



Product Details

General Specifications

Weight	<4.0kg
Size	290mm(L) x 170mm(W)x145mm(H)
Battery	Working time > 3 hours, Standby time > 12 hours
Power adapter	Adapter: AC110V/220V AC, 50~60Hz Output: 19.5V Charger: AC110V/220VAC, 50~60Hz

Performance Parameter

Explosibles	TNT, Hessian, Taian, Nitroglycerin, Ammonium Nitrate, Black Powder, Dinitrotoluene, Tetra, Oktojin, Gina, TATP, HMTD, C4, Semtin, etc. And earth explosives, etc., and add new samples as needed.
Checkable drugs	Hydrochloric acid cocaine, heroin hydrochloride, tetrahydrocannabinol, methamphetamine (ice), ketamine hydrochloride (K powder), morphine hydrochloride, opioid, ecstasy, dulantin and other common drugs on the market, and can add new samples as needed.
Sensitivity	pg level
Analysis time	≤3s
Start Time	< 5min
False alarm rate	≤ 1%
The detection rate	≥ 99%
Restore the alarm time	< 15s

System Function

Language	With Turkish system and English system selection function.
Database	Open database, ready to update.
Sampling	Trace particle adsorption sampling, test paper wiping sampling.
Detector type	Detect drugs and explosives.
Mixture	With main component detection and mixture component.
Alarm mode	It has sound, light, character light alarm display, alarm mode selection switch, optional sound and light alarm, or hidden alarm mode that does not cause panic.

Environmental parameter

Working/storage temperature	-20°C ~ 60°C
Working/storage humidity	<95%
Working pressure	60kPa~106kPa